



Electric & Hydraulic Lifting Systems
Elkhart, Indiana 800-846-9659
www.equalizersystems.com

AUTO-LEVEL™ & Slide-Out

Operation and Warranty Guide



Prepared Specifically For Forest River Owners
Effective April 2009

TABLE OF CONTENTS

Precaution / Warnings	3
AUTO-LEVEL™ System Operation	4-6
Helpful Hints	7
Maintenance	7
Slide-Out Operation	8
Manual Override Procedures	9-10
Wiring and Hose Connection Guides	11-12
Troubleshooting	13-15
Equalizer Systems Warranty.....	16

Important Warnings and Precautions

WARNING

READ ENTIRE INSTRUCTIONS AND ALL PRECAUTIONS PRIOR TO INSTALLING, USING, OR TROUBLESHOOTING THIS EQUIPMENT



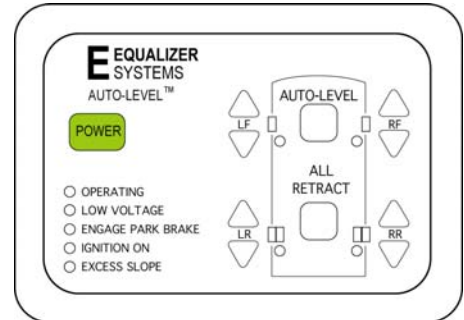
- The system operates using hydraulic fluid under high pressure. Extreme fluid pressure can be present even if the system is not operating. System forces and pressures can cause severe injury or death if used improperly or modified. Service work should only be performed by trained technicians.
- Do not attempt to operate any portion of the hydraulic systems when the vehicle is in motion.
- Visually confirm that all leveling jacks are retracted prior to travel.
- Make sure there are no obstructions in the extend or retract paths of the jacks or slide-outs.
- Do not use the leveling jacks to lift the unit to perform any kind of service work or to change tires. The system is designed as a leveling and stabilizing system and is not meant to lift the coach off the ground.
- Do not go under vehicle when leveling jacks are extended.
- Do not operate any system functions while anyone is under the coach.
- Do not allow excessive motion in the coach during the AUTO-LEVEL™ operation. This could cause the system to level improperly.
- Modification of any factory-supplied item may result in the denial of all warranty claims. Call Equalizer Systems Technical Support prior to any modifications.
- Do not attempt any technical repairs without first consulting the troubleshooting guide in this manual and/or calling Equalizer Systems Technical Support at (800) 845-9659. Failure to do so may result in denial of warranty claims.

EQUALIZER SYSTEMS

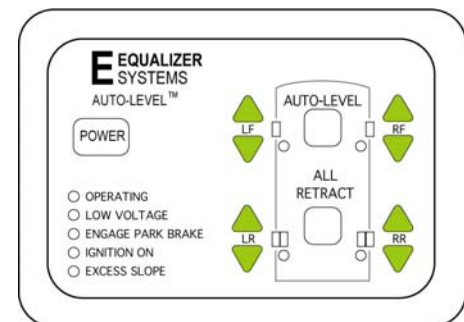
AUTO-LEVEL™ Operation Guide

Manual Operation

- **Power On:** Press and release the POWER keypad button to engage power. The LED next to the POWER button should be lit RED when power is on. If an ignition disable circuit is present, you will need to have the ignition key in the “OFF” or “AUX” position (depending on wiring scheme chosen) to extend the jacks. If you attempt to extend individual jacks by pressing the DOWN ▼ keypad button or all jacks with the AUTO-LEVEL™ button, you will hear a “deny” tone from the keypad if the ignition key is in the improper position.

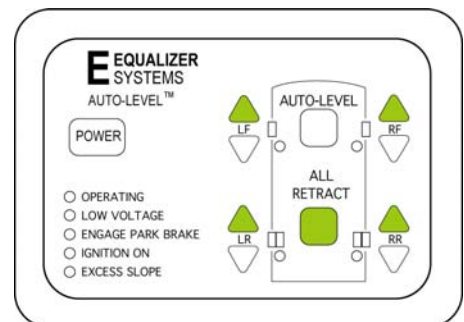


- **Planting the Jacks:** Using the DOWN ▼ keypad button, extend each jack until they contact the ground (this is referred to as “planting” the jacks). As you extend each jack, an LED light positioned next to each to each jack’s UP ▲ and DOWN ▼, buttons will indicate the jack is out of the “stowed” position. Jacks may be operated individually or in pairs. **Do not manually overextend individual jacks. This may cause unwanted stress on the coach or the jacks.**



- **Leveling the Coach:** Use a bubble level on a flat surface in the center of the coach as a reference. Level the vehicle by using DOWN ▼ or UP ▲ keypad buttons until the vehicle is level. Jacks may be operated individually or in pairs as long as they are operated in the same direction. Do not attempt to lift the vehicle off the tires. Once level, Press and release the POWER button. Note: The keypad may be left on once level has been achieved. The keypad will enter “sleep mode” after five minutes of inactivity.

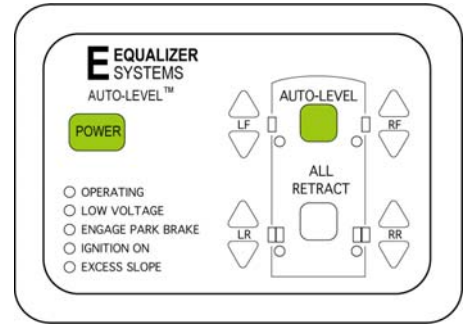
- **Retracting the Jacks:** To retract all jacks simultaneously, press and release the ALL RETRACT button. All jacks will automatically retract and return to stowed position. The pump will run in retract mode until all of the jacks are fully stowed (plus an additional 5 seconds) up to a maximum of 60 seconds. You may stop the ALL RETRACT by pressing any button on the keypad. An individual jack can be retracted by using the UP ▲ button for each individual jack. The LED lights positioned next to each to each jack’s UP ▲ and DOWN ▼, buttons will turn off, indicating the jacks are in the “stowed” position.



- **Power OFF:** Press and Release the POWER keypad button.

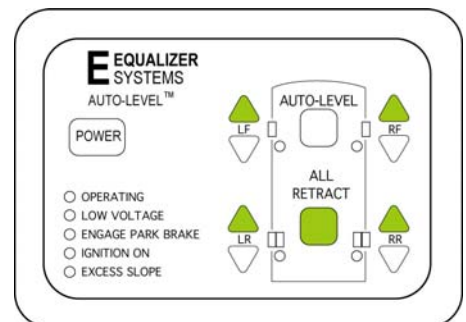
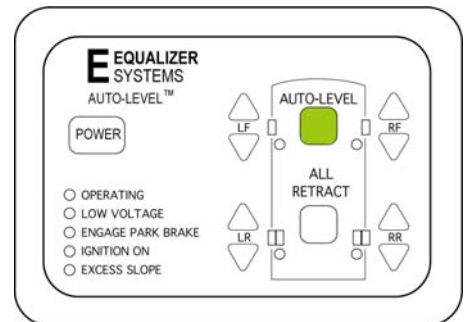
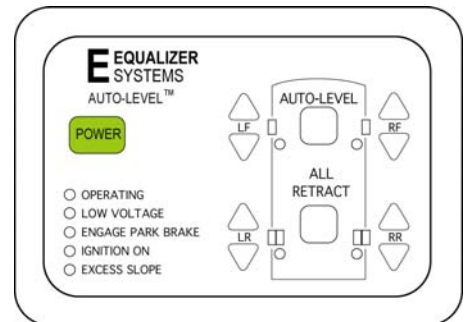
Visually confirm all jacks are retracted prior to travel.

- **Setting the Null:** The Null or “level position” has been preset from the factory. However, if the coach is not level following an attempt to AUTO-LEVEL™, the Null is easy to reprogram. To set the null, push and release the POWER keypad button to engage power. The LED next to the POWER button should be lit RED when power is on. Level the coach by deploying jacks manually (using the DOWN ▼ keypad buttons, extend each jack until the coach is level), or by simply parking the coach on a level site. You do not need to have jacks deployed to set the null. Use a bubble level on a flat surface in the center of the coach as a reference. Once the coach is level, turn the POWER off at the panel. Depress and hold the AUTO-LEVEL™ keypad button. Continue to hold the AUTO-LEVEL™ button and press release the POWER button, and listen for a series of beeps. After the panel has beeped 5 to 6 times, release the AUTO-LEVEL™ button (the keypad will continue to beep as long as the AUTO-LEVEL™ button is held). The new null has been set and the panel will maintain this setting. Press and release the ALL RETRACT button to retract the jacks to the stowed position.



Automatic AUTO-LEVEL™ Operation

- **Power On:** Push and release the POWER button to engage power. The LED next to the POWER button should be lit RED when power is on. You will need to have the ignition key in the “off” position to extend the jacks. If you attempt to extend individual jacks by pressing the DOWN — button or all jacks with the AUTO-LEVEL button, you will hear a “deny” tone from the keypad if the ignition key is in the improper position.
- **AUTO-LEVEL™:** Press the AUTO-LEVEL™ button and release. The system will send out a continuous series of beeps, the ‘OPERATING’ LED will flash RED to let you know AUTO-LEVEL™ is operating and will automatically level the coach. When completed, the keypad will signal a successful level with a dual-level tone. Press and release the POWER button. Note: The keypad may be left on once level has been achieved. The keypad will enter “sleep mode” after five minutes of inactivity
- **Retracting the Jacks:** The Equalizer System provides the ability to retract the jacks using the ALL RETRACT button or the UP D button for each individual jack. All jacks will automatically retract and return to stowed position when the ALL RETRACT button is pressed and released. The pump will run in retract mode until all of the jacks are fully stowed (plus an additional 5 seconds) up to a maximum of 60 seconds. You may stop the ALL RETRACT by pressing any button on the keypad. The LED lights positioned next to each to each jack’s UP ▲ and DOWN ▼, buttons will turn off, indicating the jacks are in the “stowed” position.
- **Power OFF:** Press and Release the Power Keypad Button



Visually confirm all jacks are retracted prior to travel.

Note: There are specific instances when manual extension of one (or more) jack is inhibited (deny tone when DOWN — is depressed). This situation is caused by the ‘anti-twist’ protocol in the software contained in the control box. Simply stated, the ‘anti-twist’ protocol denies jack extension if the system senses that a specific corner of the coach is approximately 3 degrees higher than the rest. You will be able to extend other jacks to overcome the slope. *If the system incorrectly senses excessive slope, this can be overcome by re-setting the null. This will allow manual extension of all jacks. Remember to re-set the null after manually leveling the coach.*

Keypad Indicator LED's

There are ten (10) LED indicators on the AUTO-LEVEL™ keypad. The functions of these LED's are detailed below.

During typical operation, the LED's on the bottom left hand corner of the keypad should NOT be illuminated. The only LED that should light is the 'OPERATING' LED, which should flash during operation.

- 'POWER' LED..... ON Red when power is ON
OFF when power is OFF
FLASH every 5 sec. In Sleep Mode
- 'JACK' LED (4 each)..... ON Red when jack(s) are deployed
OFF when jack(s) are stowed
- 'OPERATING' LEDFLASHING Red w/ Auto Level or All Retract
OFF when keypad is idle or 'sleeping'
- 'LOW VOLTAGE' LED..... ON Red when voltage is below 10.5 volts dc
OFF when voltage is above 10.5 volts dc
- 'ENGAGE PARK BRAKE' LED..... ON Red when park brake is not set
OFF when park brake is set.
- 'IGNITION ON' LED..... ON Red when ignition is in the ON position
OFF when ignition is OFF
- 'EXCESS SLOPE' LED..... ON Red **following** an Auto Level attempt, if
system cannot overcome slope
OFF when slope is not excessive

If the LOW VOLTAGE, ENGAGE PARK BRAKE, IGNITION ON or EXCESS SLOPE LED's illuminate, an 'error' condition is present and must be corrected prior to operating the jacks.

Helpful Hints

- If your coach is equipped with air suspension, it is recommended that the coach be started and chassis air pressure allowed to build before pressing ALL RETRACT. This will ensure adequate air supply to the chassis air valves.
- Your system may be equipped with a manual override option (consult vehicle manufacturer). Refer to the Manual Override section of this manual for the proper procedure. It is usually better to review this procedure **prior** to its actual use, rather than having to learn a new procedure in difficult environments.
- You may allow any automatic function to run for the entire programmed time (and stop automatically), or you may stop the action by pressing any button on the keypad.
- To ensure proper leveling, do not move around in the coach during the AUTO-LEVEL™ process. Leveling may be unsuccessful if motion is present.
- AUTO-LEVEL™ is a microprocessor-controlled system. Proper and adequate battery voltage and permanent chassis ground are essential.
- Operate jacks first, then slide-outs
- When operating slide-outs, the Jacks Down indicator lights may illuminate.

Maintenance

- Maintain the reservoir level to a minimum of 3/4 full with Dexron III Transmission fluid.
- Change fluid if the reservoir shows signs of contamination: debris or water.
- If the vehicle is parked in an extremely hot and/or humid environment with jacks and slide-outs extended for long periods (over 30 days), spray the cylinder rods with WD40 to prevent corrosion.
- The slide-out mechanisms are designed to operate without added lubrication. Greases and oils can trap and collect dirt that can lead to premature wear. If desired, a coating of WD40 or silicon spray can be applied to the mechanism to prevent rust. Wipe off any excess.
- Proper maintenance of the vehicles electrical system is important for proper system operation. Proper voltage and grounding is critical. Follow the battery manufacturer's guidelines regarding battery care and maintenance.

Slide-Out Operation

Park and level the unit prior to extending the slide-outs. To prepare for travel, retract the slide-outs prior to retracting the leveling jacks.

Slide rooms will operate with the ignition key in the 'OFF' position ONLY.

To EXTEND the Slide-Out rooms:

Press and hold the OUT / EXTEND button. Hold the button until the room reaches the end of its travel

To RETRACT the Slide-Out rooms:

Press and hold the IN / RETRACT button. Hold the button until the room reaches the end of its travel

Note: Slide-Out systems are designed to fully run through each extension or retraction cycle. Make every effort to fully extend or fully retract a slide-out room each time it is operated. Changing the direction of slide-out movement when the room is in a position other than either fully extended or fully retracted may result in uneven operation of the room.

When retracting rooms, a delay may be present until the hydraulic pump builds enough pressure to retract the room. Just continue to press the switch until the room retracts.

Low voltage at the pump assembly can cause erratic operation of the slide-out rooms. Be sure to keep batteries fully charged to prevent erratic operation.

When operating slide-outs, the Jacks Down indicator lights may illuminate. The same hydraulic pump assembly powers both the slide-out and leveling systems. If the leveling control panel is turned ON with the jacks retracted, extending the slide-outs may cause the JACKS DOWN LED to illuminate.

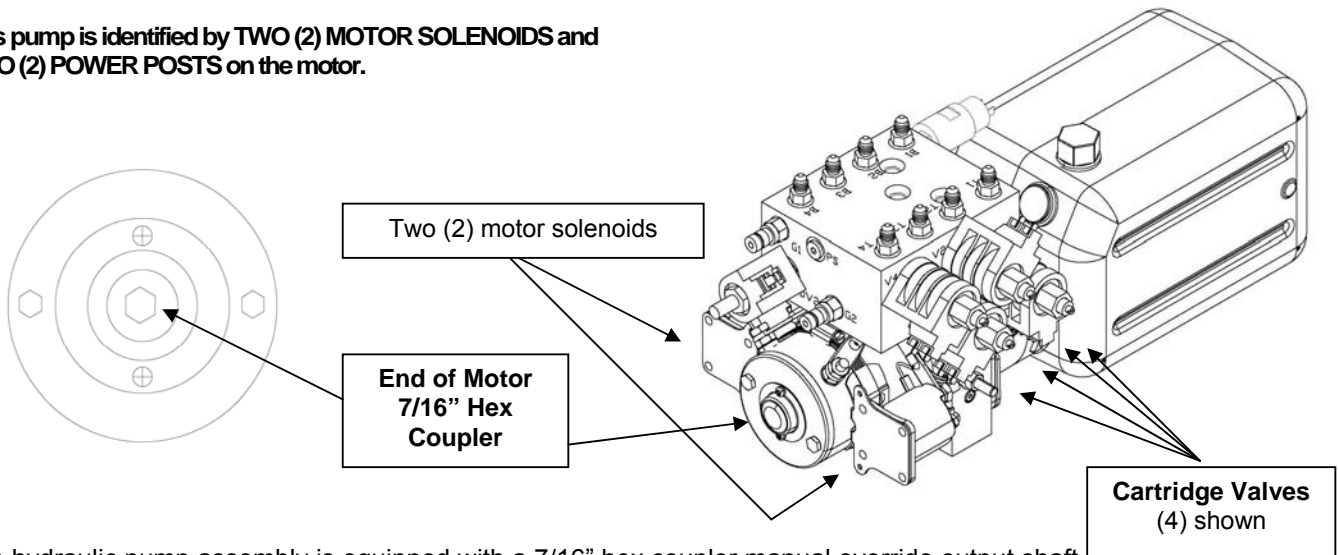
The slide out cable support and timing mechanism for the main slide room was manufactured by Norco Industries in Elkhart Indiana. This portion of the slide out mechanism should not require maintenance during the normal life of the vehicle. The component parts of the slide out mechanism carry a 1 year limited warranty through the final stage manufacturer. If questions arise regarding the function of this mechanism, please refer to the Norco Industries web site at www.norcoind.com or call the service department (800) 347-2232.

Manual Override Procedures

If electrical power is lost to the leveling or slide-out system, your system has been equipped with a manual override option. A coach may come equipped with either a Bi-Rotational or a Uni-Directional Pump Assembly. Please refer to the diagrams in the following section to identify which type of pump assembly is installed on the vehicle.

Bi-Rotational

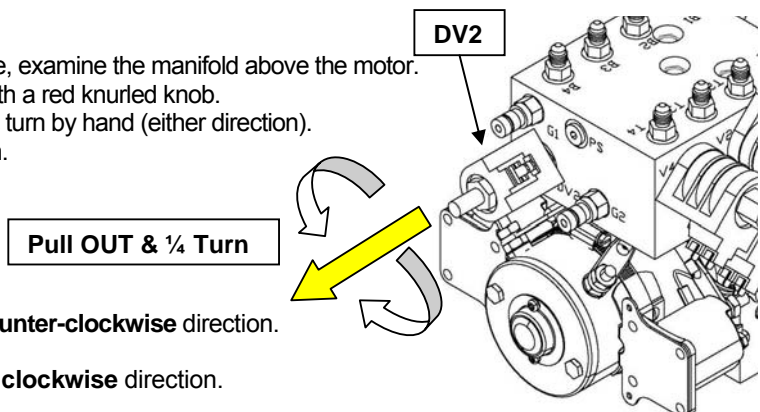
This pump is identified by **TWO (2) MOTOR SOLENOIDS** and **TWO (2) POWER POSTS** on the motor.



The hydraulic pump assembly is equipped with a 7/16" hex coupler manual override output shaft.

To manually override (bi-rotational pump assembly):

- 1) The individual cartridge valves are clustered together on the side of the pump manifold. Valves for leveling jacks are labeled 1 thru 4. See the hose connection section in the Operations Manual to identify the valves for slide-out functions. Locate the screws on the appropriate cartridge valve(s). Using a small flat blade screwdriver, turn the screw(s) clockwise until all the way in and lightly seated (approx 2.5 turns). An individual slide-out room or leveling jack can be manually overridden by only opening the valve associated with that function.
- 2) Access the manual override coupler: Remove the black plastic cap from the end of the motor (use a small flat head screwdriver). Place a drill (2000 rpm minimum) equipped with a 7/16" (11mm) socket on the manual override coupler. Care must be taken to ensure the drill and socket do not contact any wires or hoses.
- 3) **If equipped, open the DV2 valve.**
To identify a pump equipped with a DV2 valve, examine the manifold above the motor. DV2 is a solenoid operated cartridge valve with a red knurled knob.
To open: Pull out on the red knob and turn ¼ turn by hand (either direction).
The valve should lock in the out/open position.



- 4) To **retract** your jack(s) run the drill in the **counter-clockwise** direction.
- 5) To **extend** your jack(s), run the drill in the **clockwise** direction.
- 6) When manual override is complete, return the cartridge valve(s) and DV2 (if equipped) to the normal positions. Reinstall black plastic cap on motor.



Following manual override operation, return all valves to normal operational position. Failure to do so may result in drifting from the retracted (stowed) position of slide-outs or leveling jacks.

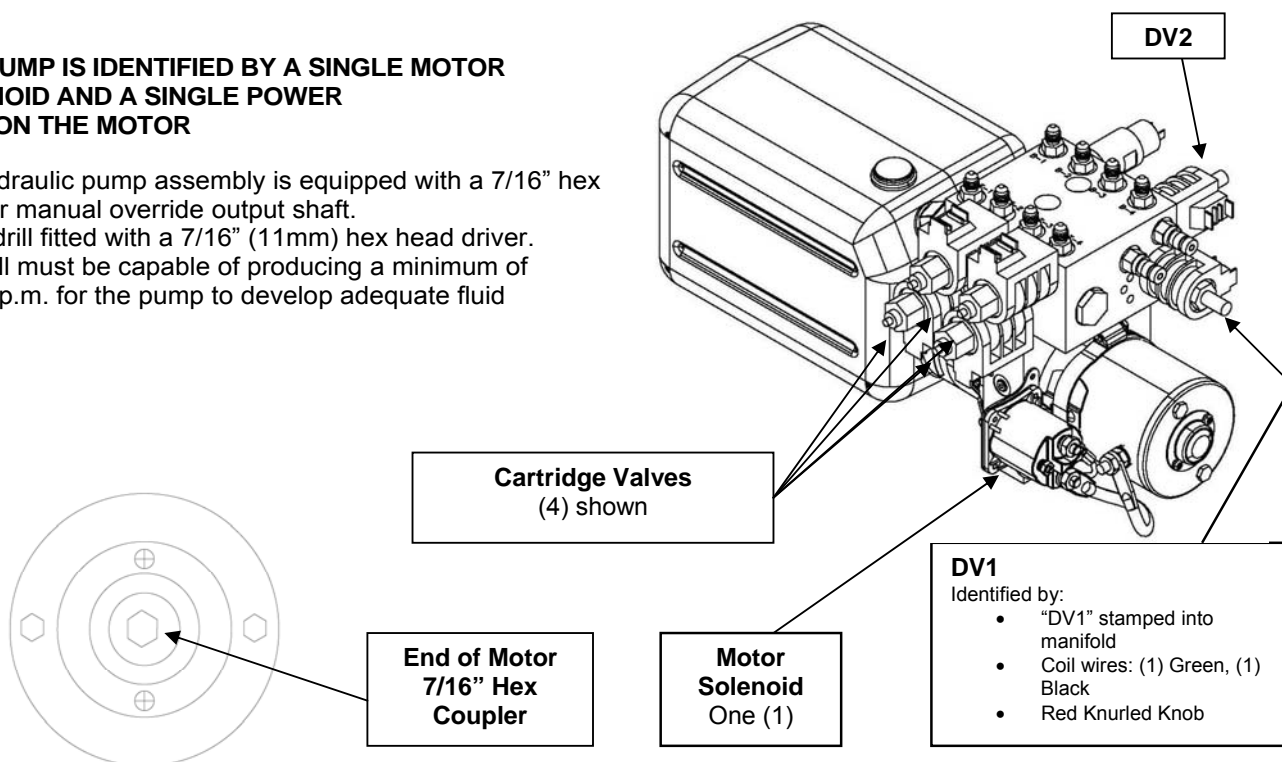
Cartridge valves: Rotate the center screw fully counter-clockwise until lightly seated.

DV2: Turn the red knob and allow the valve handle to snap IN or Closed. Operate DV2 by hand only- NO TOOLS!

Uni-Directional

THIS PUMP IS IDENTIFIED BY A SINGLE MOTOR SOLENOID AND A SINGLE POWER POST ON THE MOTOR

The hydraulic pump assembly is equipped with a 7/16" hex Coupler manual override output shaft. Use a drill fitted with a 7/16" (11mm) hex head driver. The drill must be capable of producing a minimum of 2000 r.p.m. for the pump to develop adequate fluid output.



To manually override (uni-directional pump assembly):

- 1) The individual cartridge valves are clustered together on the side of the pump manifold. Valves for leveling jacks are labeled 1 thru 4. See the hose connection section in the Operations Manual to identify the valves for slide-out functions. Locate the screws on the appropriate cartridge valve(s). Using a small flat blade screwdriver, turn the screw(s) clockwise until all the way in and lightly seated. An individual slide-out room or leveling jack can be manually overridden by only opening the valve associated with that function.
- 2) Locate the red knurled knob on the directional valve: DV2. This valve will be on the opposite side of the manifold from the cluster of cartridge valves. Pull the red knob out and turn 1/4 turn by hand. The knob will remain in the 'out' position.
- 3) To retract, locate the red knurled knob on the directional valve: DV1. This valve will be on the adjacent side of the manifold to the cluster of cartridge valves. Pull the red knob out and turn 1/4 turn by hand. The knob will remain in the 'out' position.
- 4) Remove the black plastic cap from the end of the motor. Use a small flat head screwdriver. Place the drill with the 7/16" (11mm) hex bit on the manual override shaft located at the top of the motor. Run drill in a clockwise direction at 2000 r.p.m. (minimum). The jack leg(s) will retract. Care must be taken to ensure the drill or socket does not contact any wires or hoses.
- 5) When retraction is complete, return the cartridge valve(s) and the directional valves DV1 & DV2 to the normal positions. Reinstall black plastic cap on motor.

To extend your jack(s): To extend the jack(s), follow all of the above steps EXCEPT DO NOT manually shift directional valve DV1 as described in step # 3 above.



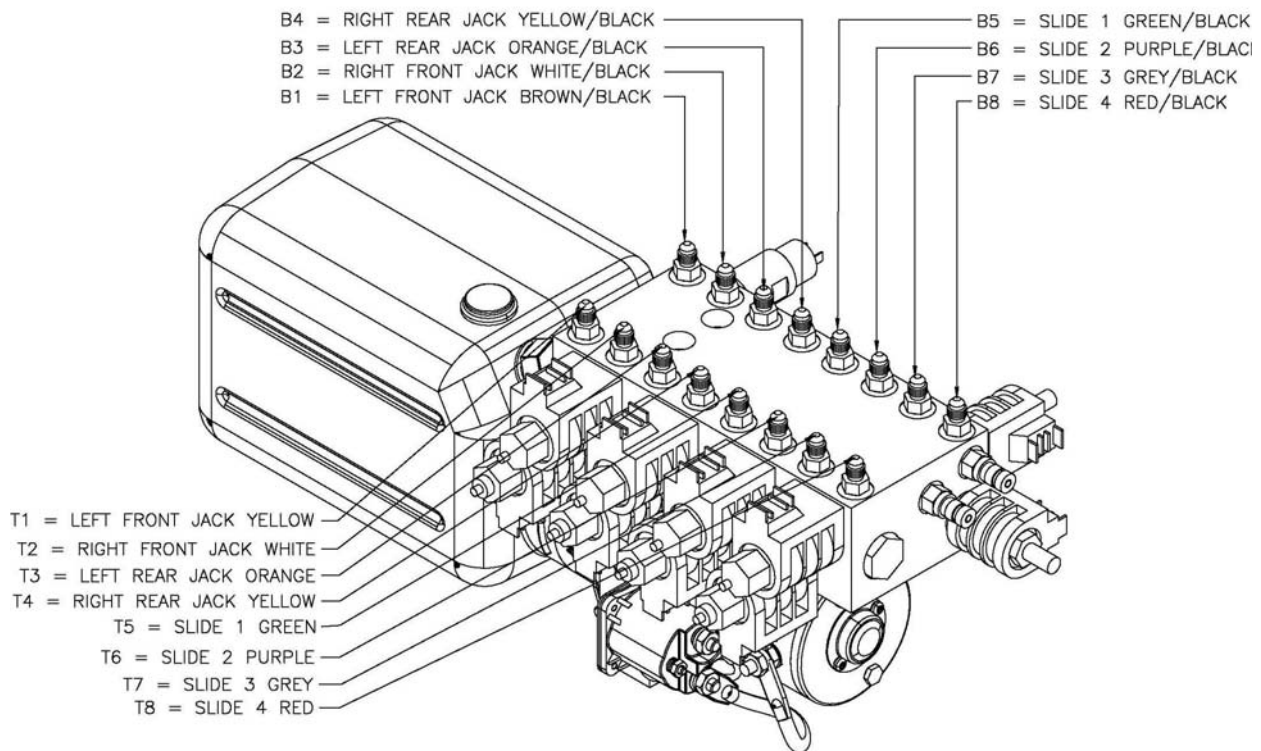
Following manual override operation, return all valves to normal operational position. Failure to do so may result in drifting from the retracted (stowed) position of slide-outs or leveling jacks.

Cartridge valves: Rotate the center screw fully counter-clockwise until lightly seated.

DV1 & DV2: Turn the red knob and allow the valve handle to snap IN or Closed. Operate by hand only- NO TOOLS!

Valve Identification/Hose Connections

Valve #- Function	Hose Label Color- Extend	Hose Label Color- Retract	Cartridge Valve Wire Color	
V1= Left Front Leveling Jack		Brown	Brown w/ stripes	Brown
V2= Right Front Leveling Jack		White	White w/ stripes	White
V3= Left Rear Leveling Jack		Orange	Orange w/ stripes	Orange
V4= Right Rear Leveling Jack		Yellow	Yellow w/ stripes	Yellow
V5= Slide-Out #1 (if equipped)		Green	Green w/ stripes	Green
V6= Slide-Out #2 (if equipped)		Purple	Purple w/ stripes	Purple
V7= Slide-Out #3 (if equipped)		Grey	Grey w/ stripes	Grey
V8= Slide-Out #4 (if equipped)		Red	Red w/ stripes	Red

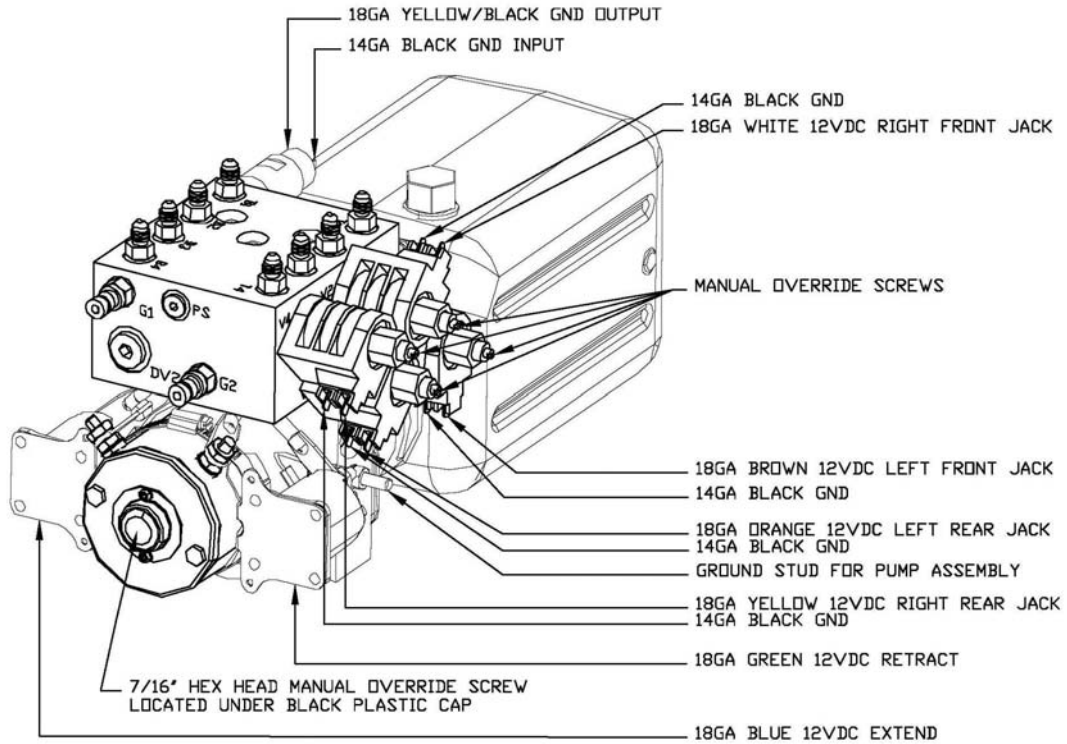


HOSE CONNECTION IDENTIFICATION

T = EXTEND
 B = RETRACT

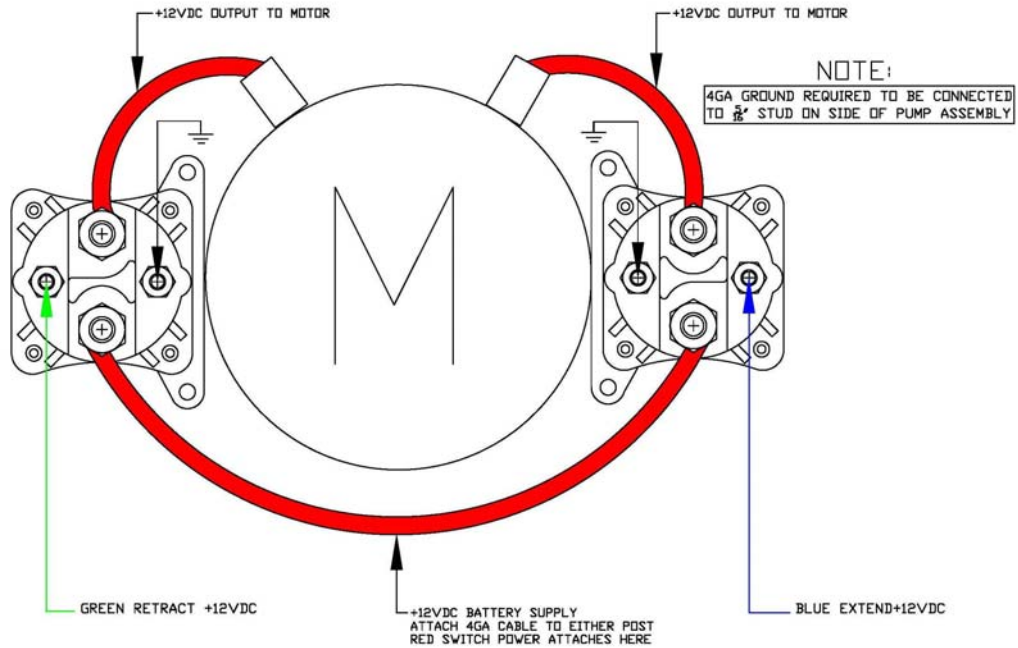
Pump Assembly Wiring

Valve Wiring



Solenoid Wiring

BIROTATIONAL WIRING CONFIGURATION



Troubleshooting Guide

Symptom

Possible Cause

Corrective Action

Keypad will not turn on	Blown fuse at pump harness or in fuse panel	Replace fuse
	Faulty ground or power wire	Trace and repair
	Low Battery Voltage	Charge chassis and/or coach batteries
	Defective Keypad or Controller	Call Equalizer Tech Support
	Defective Keypad harness	Trace and repair
Keypad turns on – Jacks will not operate	Low Battery Voltage to Pump	Charge chassis and/or coach batteries
	Faulty electrical connection	Trace and repair
	Defective Keypad or Controller	Call Equalizer Tech Support
	Defective pump motor or solenoid	Replace
	Other system defect	Call Equalizer Tech Support
Jacks will retract but will not extend	Low Battery Voltage to Pump	Charge chassis and/or coach batteries
	Park Brake not set	Set park brake
	System Null not set	Set Null
	Anti-Twist Software Protocol has been Initiated	Lower opposite side of coach and/or Re-set Null and Level Coach
	Ignition Switch in wrong position	Check and change as needed
	Defective Keypad or Controller	Call Equalizer Tech Support
	Faulty electrical connection	Trace and repair
	System Defect	Call Equalizer Tech Support

Troubleshooting Guide

Symptom

Possible Cause

Corrective Action

Symptom	Possible Cause	Corrective Action
Jacks will extend but will not retract	Low battery voltage	Charge chassis and/or coach batteries
	Incorrect hose connection at pump or jack	Trace and repair
	DV1 --faulty wire or valve	Check and repair
	Defective Keypad or Controller	Call Equalizer Tech Support
AUTO-LEVEL™ will not level	System Null not set	Set Null
	Controller installed improperly or has moved	Check controller orientation
	Ignition Switch in wrong position	Check and change as needed
	Damaged or defective Keypad harness	Call Equalizer Tech Support
	Defective Keypad	Call Equalizer Tech Support
	Other System Defect	Call Equalizer Tech Support
AUTO-LEVEL™ stops mid-cycle	Low battery voltage	Charge chassis and/or coach batteries
	Excessive vehicle motion during leveling sequence	Reset Control Panel and re-try
	System Null not set	Set Null
	Damaged or defective Controller	Check and replace
	Damaged or defective Keypad harness	Call Equalizer Tech Support
	Other System Defect	Call Equalizer Tech Support
Jack LED's on panel stay on	Defective Pressure Switch or wiring	Trace and repair or replace
	Defective Keypad Harness	Trace and repair or replace
	Defective Keypad	Call Equalizer Tech Support

Troubleshooting Guide

Symptom

Possible Cause

Corrective Action

Hydraulic pump inoperative	Low battery voltage	Charge chassis and/or coach batteries
	Blown fuse or breaker in fuse panel	Replace fuse or reset breaker
	Faulty electrical connection	Trace and repair
	Defective pump motor or solenoid	Replace
Jack(s) bleed down from leveled position or stowed ^{position}	Air in hydraulic system	Purge air
	External fluid leak	Trace and repair
	Defective valve in pump	Clean or replace valve
	Defective jack	Replace jack
Jack(s) are jerky when retracting	Air in the system	Purge air
	Fluid level low	Check fluid level and add as necessary
Jack(s) will not retract from full extension	Low Battery Voltage at Pump	Charge chassis and/or coach batteries
	Low battery voltage or poor ground to Keypad	Charge chassis and/or coach batteries and ensure proper grounding
	Damaged or defective harness from Keypad to pump	Trace and repair
	Fluid level low	Check fluid level and add as necessary

Avoid the most common issues! Always ensure & verify proper charge on the batteries!

Proper and adequate grounding of the pump is essential!

90% of the phone calls we receive are found to be a discharged battery or poor ground!

If your problem is not listed or persists, call Equalizer Systems at (800) 846-9659.

Please gain prior authorization for warranty service or repair.



Limited Warranty Policy

RV or Vehicle Manufacturer Installed Systems or Components:

1. Only warranty claims with prior written or verbal authorization from Equalizer Systems will be recognized, all other claims will be denied.
2. Equalizer Systems warrants slide out and leveling system components for a period of three years from the date of original sale of the vehicle. This warranty covers defects in material and workmanship only. Equalizer Systems is not liable for any damage due to abuse, neglect, misuse, negligence, misapplication, error of operation, accidental or purposeful damage or damage due to an "act of God" such as, wind or rain damage, flood, lightning or other natural occurrence of the like. Equalizer Systems limited warranty is applicable to the Equalizer Systems components only and does not apply to the vehicle, apparatus or property to which it is attached. Warranty parts will be shipped at no charge if the repair is authorized by an Equalizer Systems representative. Purchased components used in authorized warranty repairs will be reimbursed at the original purchase price.
3. Labor and freight expenses due to warrantable parts defects or workmanship will be reimbursed for a period of one year from the date of original sale of the vehicle. Freight expenses will either be prepaid by Equalizer Systems or reimbursed at the UPS Ground rate only. Any additional shipping charges or requirements are the obligation of the vehicle owner or service center performing the warranty repair. The owner or service center's obligation may include overseas shipping charges, border fees, brokerage fees and any other additional fee of the like.
4. Warranty labor will be reimbursed only for claims that have prior written or verbal authorization from an Equalizer Systems representative. Warranty labor compensation is required to correspond with the "Warranty Parts Replacement Time Guideline" published by Equalizer Systems. Any warranty repair not listed on this guideline will require prior authorization from an Equalizer Systems representative. A reasonable time allowance will be determined by the Equalizer Systems representative. Any warranty repair that is not listed on this guideline that is performed without prior authorization will be denied without exception. Time associated with learning about the repair or excessive diagnostic and installation time will not be reimbursed. Warranty labor will be reimbursed at the authorized service center's published shop rate if the rate is reasonable for that region. Overtime labor will not be reimbursed without exception.
5. Labor, parts and freight credit (if applicable) will be sent after the parts are tested and the warranty claim is validated. Returned parts that are found to be in normal operating condition are not warrantable and will be charged to the owner or service center. Equalizer Systems reserves the right to charge back the service center for labor claim payments previously submitted if the installation of the warranted part is found to be inadequate at a later date.
6. Claims will be denied if the date submitted is greater than 30 days from the repair date.
7. Prior authorization is required before parts may be sent back to Equalizer Systems. A Return Authorization Number is required for items to be accepted.
8. Complete systems are not warranted unless authorized by an Equalizer Systems representative. There are absolutely no exceptions to this clause.
9. This warranty begins upon the original sale date of the vehicle and is transferable, with limitation, to subsequent owners upon furnishing the original sale date of the vehicle and proof of purchase. Only the remainder of the three year parts warranty is applicable. Warranty labor and freight are only applicable to original owner of the vehicle.
10. Equalizer Systems is not liable for loss of time, manufacturing costs, labor material, loss of profits, direct or indirect damages incurred by the vehicle manufacturer.
11. Excessive warranty labor resulting from inadequate access to the Equalizer Systems product will not be reimbursed.
12. Equalizer Systems will not pay a markup on warranty parts unless required by law.
13. Travel expenses, hotel, telephone, fuel or any other expenses of the like are not covered under warranty.

Replacement Parts:

1. Replacement parts are warranted under the same guidelines listed above for the remainder of the original warranty or 90 days, whichever is longer. Proof of warranty repair date and original vehicle purchase date are required.

No additional warranties, expressed or implied, are authorized by Equalizer Systems

This warranty voids all previous issues. Questions concerning this warranty should be directed to:

Equalizer Systems
P.O. Box 668
Elkhart, IN 46515
(800) 846-9659
(574) 266-6083 fax

01/26/06

Notes



800/846-9659

www.equalizersystems.com